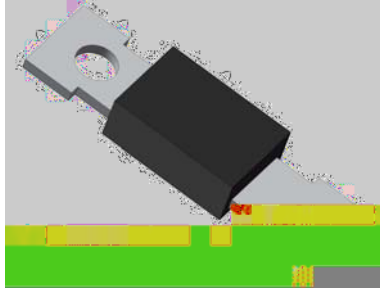


Schottky Diodes

Features

- High frequency operation
- Low forward voltage drop
- High purity, high temperature epoxy encapsulation for enhanced mechanical strength and moisture resistance
- Guard ring for enhanced ruggedness and long term reliability
- Meets MSL level 1, per J-STD-020, LF maximum peak of 260



Typical Applications

Typical applications are in switching power supplies, converters, freewheeling diodes, and reverse battery protection.

Mechanical data

Package: GFS-T

Molding compound meets UL 94 V-0 flammability rating, RoHS-compliant

Terminals: Tin plated leads, solderable per J-STD-002 and JESD22-B102

Polarity: As marked

Maximum Ratings (T_a=25 Unless otherwise specified)

PARAMETER	SYMBOL	UNIT	GFS2045
Device marking code			GFS2045
Repetitive Peak Reverse Voltage	VRRM	V	45
Average Rectified Output Current @60Hz half sine-wave, R-load, T _a =25	I _o	A	20
Surge(Non-repetitive)Forward Current @60Hz half sine-wave, 1 cycle, T _a =25	IFSM	A	300
Current Squared Time @1ms t<8.3ms T _j =25	I ² t	A ² s	375
Storage Temperature	T _{stg}		-55 ~+150
Junction Temperature IN DC Forward Mode-Forward Operations without reverse bias, t = 1 h (Fig. 1)	T _j		-55 ~+200

NOTE

Meets the requirements of IEC 61215 Ed. 2 bypass diode thermal test.

Electrical Characteristics T_a=25 Unless otherwise specified

PARAMETER	SYMBOL	UNIT	TEST CONDITIONS	GFS2045
Maximum instantaneous forward voltage drop per diode	VFM	V	IFM=20.0A	0.55
Maximum DC reverse current at rated DC blocking voltage per diode	IRRM1	mA	VRM=VRRM T _a =25	0.5
	IRRM2		VRM=VRRM T _a =100	50



GFS2045

Thermal Characteristics $T_a=25$ Unless otherwise specified

PARAMETER		SYMBOL	UNIT	GFS2045
Thermal Resistance	Between junction and case	R_{J-C}	$^{\circ}W$	1.3

Ordering Information (Example)

PREFERED P/N	UNIT WEIGHT(g)	MINIIMUM PACKAGE(pcs)	INNER BOX QUANTITY(pcs)	OUTER CARTON QUANTITY(pcs)	DELIVERY MODE
GFS2045	Approximate 0.9	80	4000	12000	Tube

Characteristics (Typical)

FIG1: $I_o - T_c$ Curve

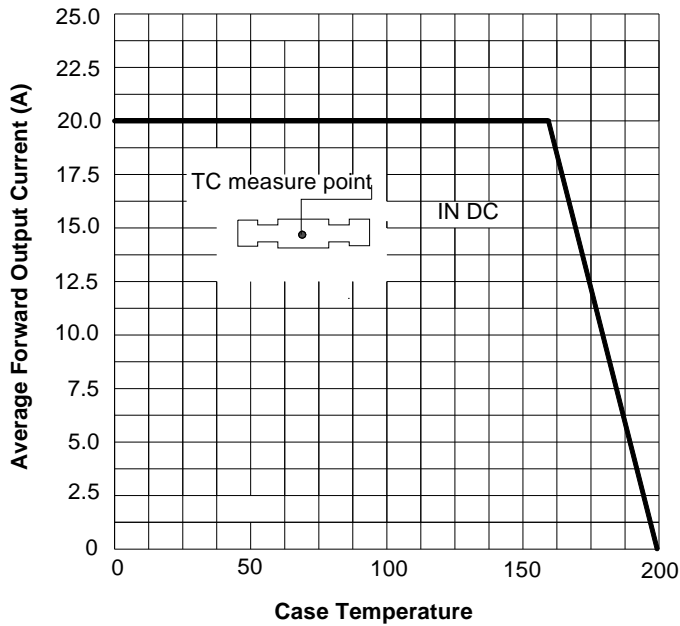
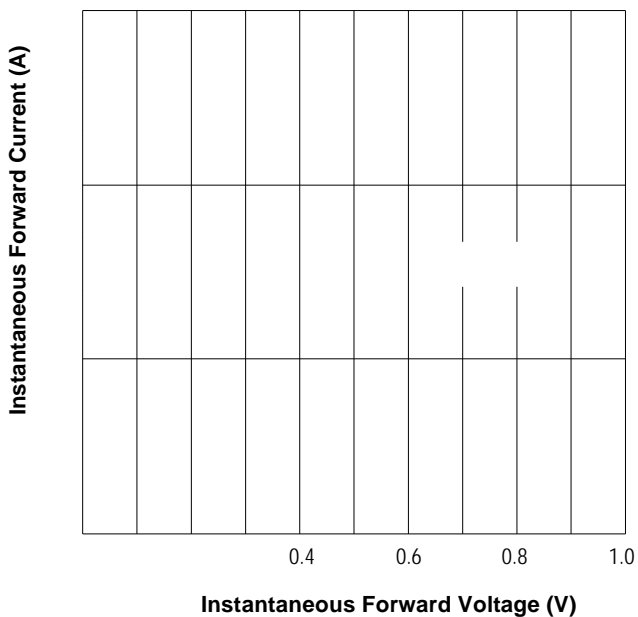
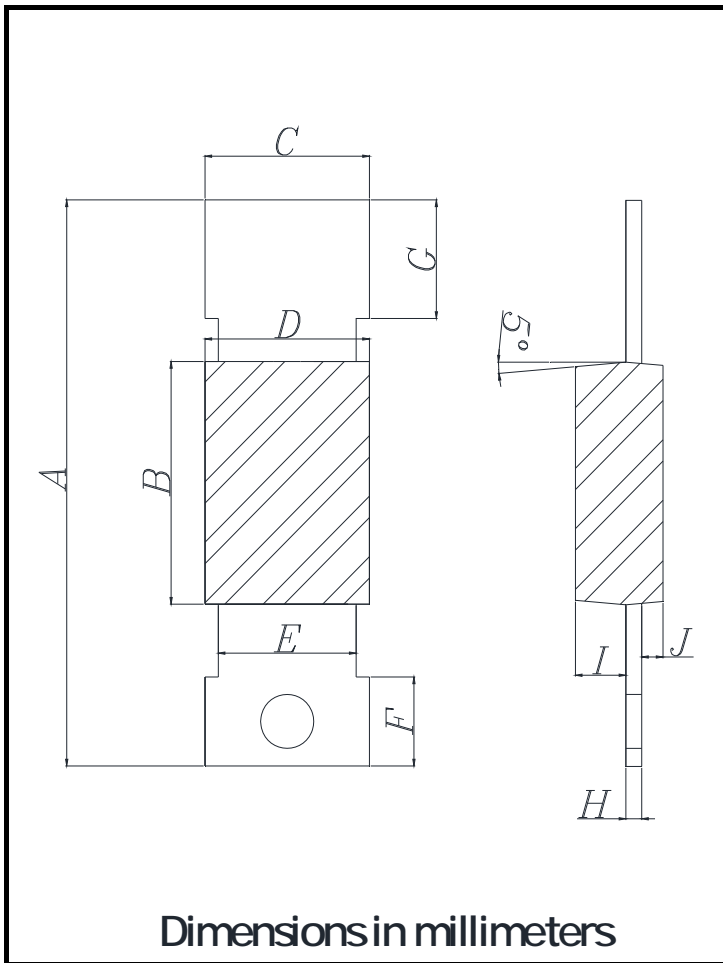


FIG3: Forward Voltage



Outline Dimensions



GFS-T		
Dim	Min	Max
A	20.7	21.3
B	8.7	9.3
C	5.9	6.5
D	5.9	6.5
E	4.9	5.5
F	2.9	3.5
G	3.9	4.5
H	0.5	0.7
I	1.6	2.2
J	0.5	1.1



Disclaimer

The information presented in this document is for reference only. Yangzhou Yangjie Electronic Technology Co., Ltd. reserves the right to make changes without notice for the specification of the products displayed herein to improve reliability, function or design or otherwise.

The product listed herein is designed to be used with ordinary electronic equipment or devices, and not designed to be used with equipment or devices which require high level of reliability and the malfunction of which would directly endanger human life (such as medical instruments, transportation equipment, aerospace machinery, nuclear-reactor controllers, fuel controllers and other safety devices), Yangjie or anyone on its behalf, assumes no responsibility or liability for any damages resulting from such improper use of sale.

This publication supersedes & replaces all information previously supplied. For additional information, please visit our website [http:// www.21yangjie.com](http://www.21yangjie.com) , or consult your nearest Yangjie's sales office for further assistance.