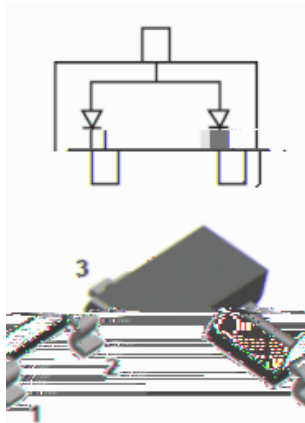


## Dual Switching Diode



T-23

SO

### Features

Moisture sensitivity level 1  
Reverse voltage 100V  
Average forward current 200mA

### Application

Signal switching  
High frequency rectifier

### Mechanical data

**Package** SOT-23  
**Terminals** Tin plated leads, solderable per J-STD-002 and JESD22-B102

### Maximum Ratings (T<sub>a</sub>=25 Unless otherwise specified)

Parameter	Symbol	Unit	Value
Device marking code			A1
Repetitive peak reverse voltage	V <sub>RRM</sub>	V	100
Forward current, per leg	I <sub>F</sub>	mA	200
Non-repetitive Surge peak forward current @ t=8.3ms half-sine wave	I <sub>FSM</sub>	A	2
Non-repetitive Surge peak forward current @ t=1ms square wave			1.5
Power dissipation	P <sub>D</sub>	mW	350
Junction temperature	T <sub>J</sub>		-55 to +150 /



## Electrical Characteristics (T<sub>a</sub>=25 Unless otherwise specified)

Parameter	Symbol	Unit	Conditions	Min	Typ	Max
Reverse voltage	V <sub>R</sub>	V	I <sub>R</sub> =100uA	100		
Forward voltage	V <sub>F1</sub>	V	I <sub>F</sub> =10mA			0.855
	V <sub>F2</sub>	V	I <sub>F</sub> =150mA			1.25
Reverse leakage current	I <sub>R</sub>	uA	V <sub>R</sub> =75V			2.5
Junction capacitance	C <sub>j</sub>	pF	V <sub>R</sub> =0V,f=1MHz			4
Reverse recovery time	T <sub>rr</sub>	ns	I <sub>F</sub> =10mA V <sub>R</sub> =6V,I <sub>rr</sub> =0.1mA, R <sub>L</sub> =100			4

## Thermal Characteristics

Parameter	Symbol	Unit	Value
Thermal resistance, junction-to-ambient	R <sub>J-A</sub> <sup>(1)</sup>	/W	357
Thermal resistance, junction-to-case	R <sub>J-C</sub> <sup>(1)</sup>	/W	286

### Note:

- 1 Device mounted on PCB, single-sided copper with standard footprint



Characteristics

Fig 1 P<sub>D</sub>-T<sub>a</sub> Curve



Fig 2 Capacitance Capability

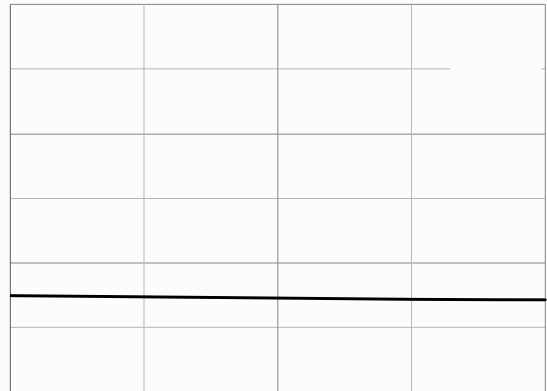


Fig 3 Typical Forward Characteristics

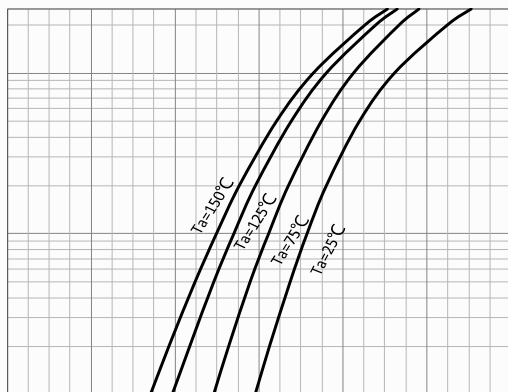
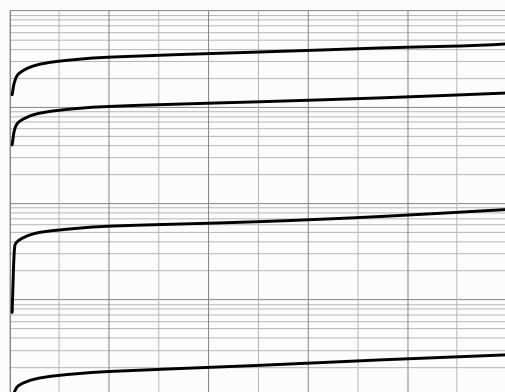


Fig 4 Typical Reverse Characteristics

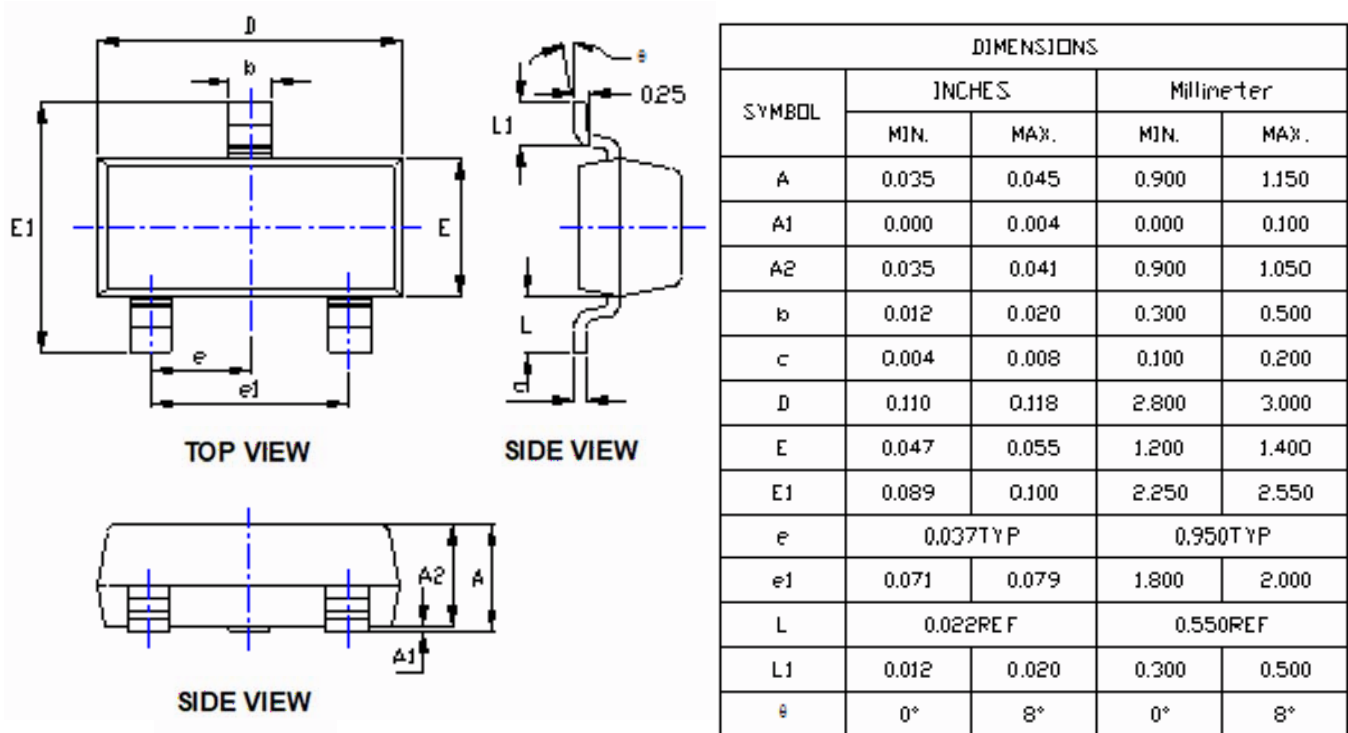




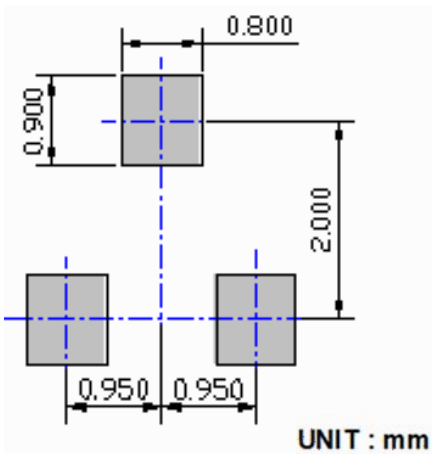
## Ordering Information

Preferred P/N	Packing code	Unit weight(g)	Minimum package(pcs)	Inner box quantity(pcs)	Outer carton quantity (pcs)	Delivery mode
BAW56	F2	Approximate 0.008	3000	30000	120000	7" reel
BAW56	F4	Approximate 0.008	10000	/	210000	13" reel

## Outline Dimensions



## Suggested Pad Layout





---

**Disclaimer**

The information presented in this document is for reference only. Yangzhou Yangjie Electronic Technology Co., Ltd. reserves the right to make changes without not